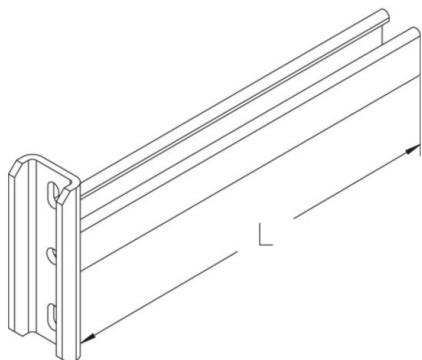


KA 41

handle bracket, standard, KDAG 41, A/KHA 21/41/42/82

Handle bracket as standard version for KDAG 41, A/KHA 21/41/42/82.



Hot-dip galvanized, according to BS 729 (DIN EN ISO 1461)

Product	B	L	P _{max}	G
KA 41-010F	100 mm	125 mm	4,3 kN	1 kg
KA 41-015F	150 mm	175 mm	4,3 kN	1,1 kg
KA 41-020F	200 mm	225 mm	4,3 kN	1,2 kg
KA 41-025F	250 mm	275 mm	4,3 kN	1,4 kg
KA 41-030F	300 mm	325 mm	4,3 kN	1,5 kg
KA 41-040F	400 mm	425 mm	4,3 kN	1,6 kg
KA 41-050F	500 mm	525 mm	4,3 kN	1,8 kg
KA 41-060F	600 mm	625 mm	4,3 kN	1,9 kg

B: width

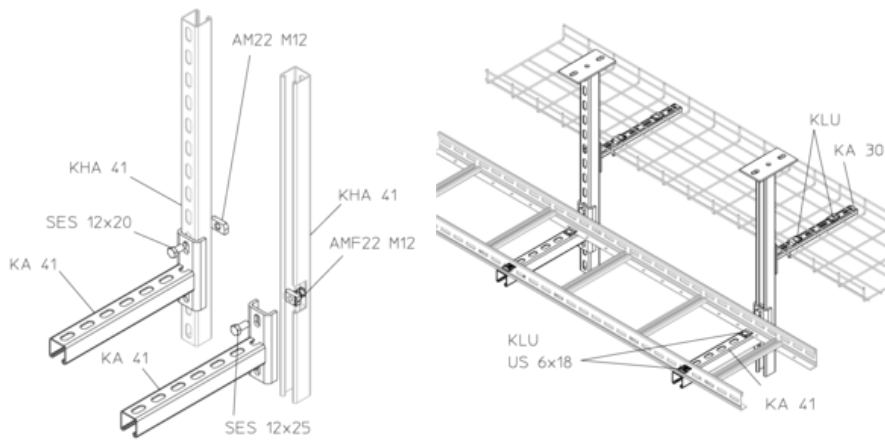
L: length

P_{max}: Maximum load

G: weight

DETAILS / APPLICATIONS





OPTIONAL ACCESSORIES

AM22, AMF22

