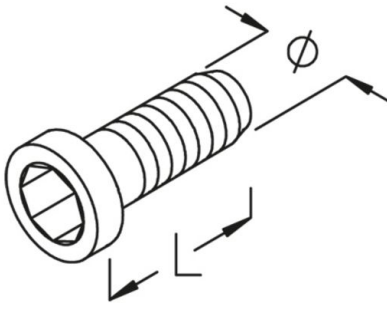


IKK

hexagon socket head screw, DIN 7984



Stainless steel, according to ASTM 304 / BS 304 S 3

Product	L	D	Ø	IK	G
IKK 8X10E	10 mm	13 mm	8 mm	5 mm	1,03 kg/100

- L: length
- D: diameter
- Ø: diameter
- IK: internal hexagon
- G: weight

DETAILS / APPLICATIONS

