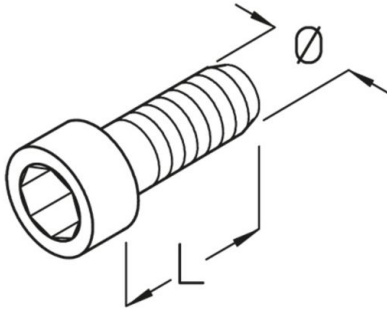


**IK**

hexagon socket head screw, DIN 912



**Stainless steel, according to ASTM 304 / BS 304 S 3**

Product	L	D	Ø	IK	G
IK 8X40E	40 mm	13,3 mm	8 mm	6 mm	2,1 kg/100
IK 10X20E	20 mm	16,3 mm	10 mm	8 mm	2,3 kg/100

- L:** length
- D:** diameter
- Ø:** diameter
- IK:** internal hexagon
- G:** weight

DETAILS / APPLICATIONS

