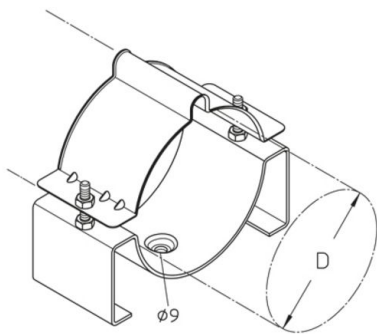


# HF-EL 5-6

HF-cable clamp for wall fastening

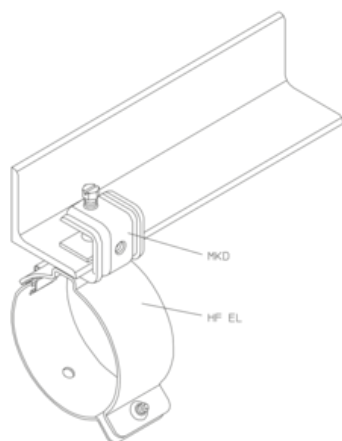


Zinc coated

Product	D	G
HF-EL 5	128 (E 26-30) mm	85 kg/100
HF-EL 6	160 (E 20) mm	99,8 kg/100

**D:** diameter  
**G:** weight

## DETAILS / APPLICATIONS





## OPTIONAL ACCESSORIES

HF-EE

