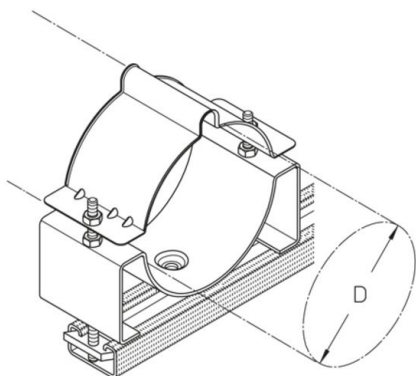


HF-EAC 5-6

HF-cable clamp for fastening to profile rails



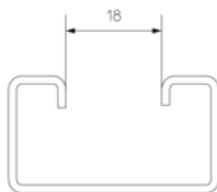
Zinc coated

Product	D	G
HF-EAC 5	128 (E 26-30) mm	96,6 kg/100
HF-EAC 6	160 (E 20) mm	112,6 kg/100

D: diameter

G: weight

DETAILS / APPLICATIONS





OPTIONAL ACCESSORIES

A 7, A 8, HF-EE

