

GTDW

mesh cable tray, G-shape

Mesh cable tray, G-shape, for mounting to ceiling or wall.

This article is available made in material No. 1.4571/1.4404 (V4A) stainless steel finish.

galvanized, according to DIN EN ISO 19598 / DIN EN ISO 2081

Product	H	B	L	t	A	Q _{SK}	G
GTDW 6GV	44 mm	75 mm	3000 mm	4,00 mm	17 cm ²	0,02 kN/m	2,20 kg
GTDW 8GV	64 mm	95 mm	3000 mm	4,00 mm	38 cm ²	0,06 kN/m	2,38 kg
GTDW 10GV	115 mm	115 mm	3000 mm	4,00 mm	98 cm ²	0,15 kN/m	3,28 kg
GTDW 13GV	54 mm	149 mm	3000 mm	4,50 mm	54 cm ²	0,08 kN/m	1,28 kg

Pre-galvanised (DIN EN 10244-2)

Product	H	B	L	t	A	Q _{SK}	G
GTDW 6S	44 mm	75 mm	3000 mm	4,00 mm	17 cm ²	0,02 kN/m	2,26 kg
GTDW 8S	64 mm	95 mm	3000 mm	4,00 mm	38 cm ²	0,06 kN/m	2,38 kg
GTDW 10S	115 mm	115 mm	3000 mm	4,00 mm	98 cm ²	0,15 kN/m	3,28 kg
GTDW 13S	54 mm	149 mm	3000 mm	4,50 mm	54 cm ²	0,08 kN/m	1,28 kg

Hot-dip galvanized, according to BS 729 (DIN EN ISO 1461)

Product	H	B	L	t	A	Q _{SK}	G
GTDW 6F	44 mm	75 mm	3000 mm	4,00 mm	17 cm ²	0,02 kN/m	2,41 kg
GTDW 8F	64 mm	95 mm	3000 mm	4,00 mm	38 cm ²	0,06 kN/m	2,55 kg
GTDW 10F	115 mm	115 mm	3000 mm	4,00 mm	98 cm ²	0,15 kN/m	3,51 kg



Product	H	B	L	t	A	Q_{SK}	G
GTDW 13F	54 mm	149 mm	3000 mm	4,50 mm	54 cm ²	0,08 kN/m	1,37 kg

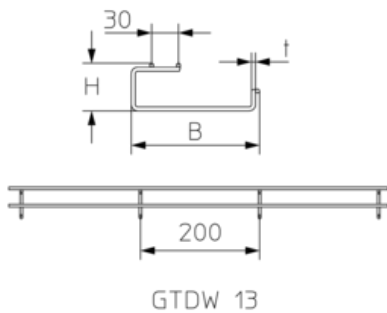
Stainless steel, according to ASTM 304 / BS 304 S 3

Product	H	B	L	t	A	Q_{SK}	G
GTDW 6E	44 mm	75 mm	3000 mm	4,00 mm	17 cm ²	0,02 kN/m	2,26 kg
GTDW 8E	64 mm	95 mm	3000 mm	4,00 mm	38 cm ²	0,06 kN/m	2,38 kg
GTDW 10E	115 mm	115 mm	3000 mm	4,00 mm	98 cm ²	0,15 kN/m	3,28 kg
GTDW 13E	54 mm	149 mm	3000 mm	4,50 mm	54 cm ²	0,08 kN/m	1,28 kg

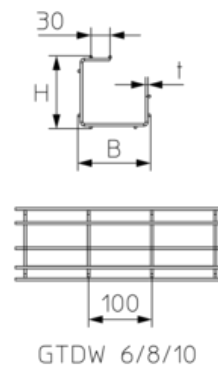
H: height
B: width
L: length
t: material thickness
A: cross section area
 Q_{SK} : distributed load control cable
G: weight

DETAILS / APPLICATIONS

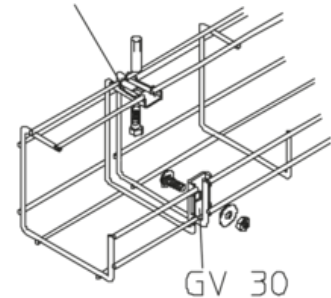
$Q_{max} = 300 \text{ N/m}$
 (StA=1m)

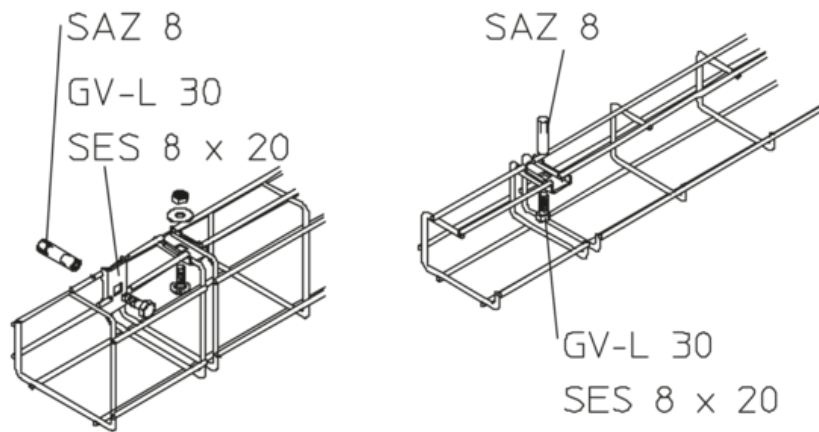


$Q_{max} = 300 \text{ N/m}$
 (StA=1m)



SAZ 8
 GV-L 30
 SES 8 x 20





OPTIONAL ACCESSORIES

GV 30, GVD 30, GV-L 30, GVU, GVK, MP-G, KLU

