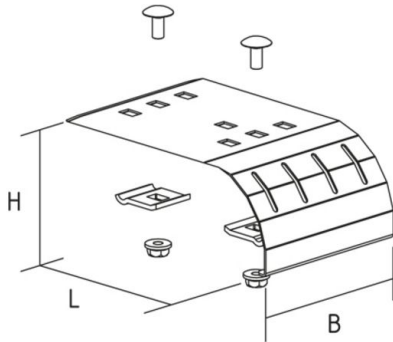


## GKAB

drop-out plate

Mesh cable tray drop-out plate for cable-friendly vertical direction changes in mesh cable tray with any longitudinal or cross wire spacing of 100 mm.



Continuously hot galvanized (Sendzimir process) (DIN EN 10346)

Product	H	B	L	G
GKAB S	54,8 mm	94 mm	149,6 mm	0,18 kg
incl.:				
2x KLU F	clamp fastening set			
2x FRSV 6X12	round-head screw with short square, DIN 603			
2x SEMS 6	hexagon-nut with flange, DIN EN 1661			

**H:** height  
**B:** width  
**L:** length  
**G:** weight

## DETAILS / APPLICATIONS



