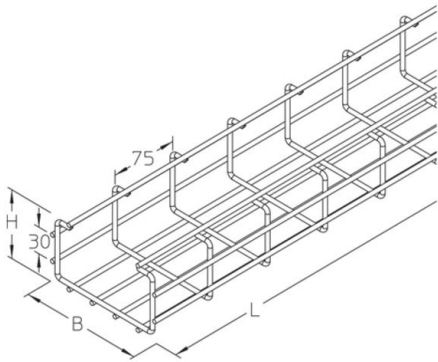


GI

mesh cable tray, C-shape, height = 75 mm

Mesh cable tray, C-shape, heavy-duty, certified including electrical conductivity according to DIN EN 61537/VDE 0639.



galvanized, according to DIN EN ISO 19598 / DIN EN ISO 2081

Product	H	B	L	t	A	Q _{SK}	G
GI 12GV	75 mm	136 mm	3000 mm	4,50 mm	67 cm ²	0,10 kN/m	5,16 kg
GI 20GV	75 mm	216 mm	3000 mm	4,50 mm	113 cm ²	0,17 kN/m	5,57 kg
GI 30GV	75 mm	316 mm	3000 mm	4,50 mm	165 cm ²	0,25 kN/m	6,83 kg

Pre-galvanised (DIN EN 10244-2)

Product	H	B	L	t	A	Q _{SK}	G
GI 06S	75 mm	76 mm	3000 mm	4,50 mm	33 cm ²	0,05 kN/m	4,10 kg
GI 12S	75 mm	136 mm	3000 mm	4,50 mm	67 cm ²	0,10 kN/m	5,16 kg
GI 20S	75 mm	216 mm	3000 mm	4,50 mm	113 cm ²	0,17 kN/m	5,57 kg
GI 30S	75 mm	316 mm	3000 mm	4,50 mm	165 cm ²	0,25 kN/m	6,83 kg

Hot-dip galvanized, according to BS 729 (DIN EN ISO 1461)

Product	H	B	L	t	A	Q _{SK}	G
GI 06F	75 mm	76 mm	3000 mm	4,50 mm	33 cm ²	0,05 kN/m	4,39 kg
GI 12F	75 mm	136 mm	3000 mm	4,50 mm	67 cm ²	0,10 kN/m	5,52 kg
GI 20F	75 mm	216 mm	3000 mm	4,50 mm	113 cm ²	0,17 kN/m	5,96 kg
GI 30F	75 mm	316 mm	3000 mm	4,50 mm	165 cm ²	0,25 kN/m	7,31 kg



Stainless steel, according to ASTM 304 / BS 304 S 3

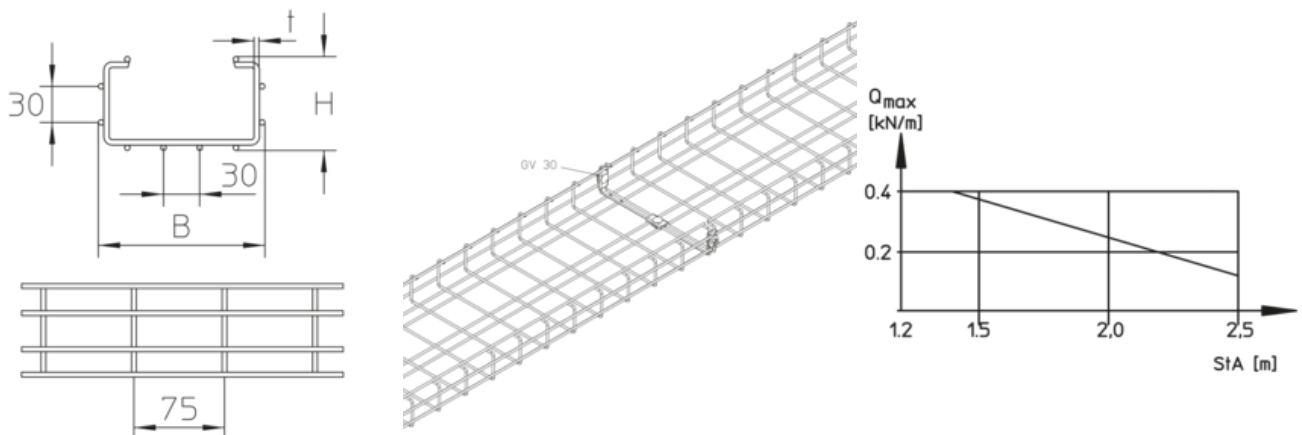
Product	H	B	L	t	A	Q_{SK}	G
GI 06E	75 mm	76 mm	3000 mm	4,50 mm	33 cm ²	0,05 kN/m	4,12 kg
GI 12E	75 mm	136 mm	3000 mm	4,50 mm	67 cm ²	0,10 kN/m	5,19 kg
GI 20E	75 mm	216 mm	3000 mm	4,50 mm	113 cm ²	0,17 kN/m	5,60 kg
GI 30E	75 mm	316 mm	3000 mm	4,50 mm	165 cm ²	0,25 kN/m	6,87 kg

Stainless steel, according to ASTM 31 Ti / AISI 316 L, BS 320S17 / BS 316S11

Product	H	B	L	t	A	Q_{SK}	G
GI 06E4	75 mm	76 mm	3000 mm	4,50 mm	33 cm ²	0,05 kN/m	4,18 kg
GI 12E4	75 mm	136 mm	3000 mm	4,50 mm	67 cm ²	0,10 kN/m	5,25 kg
GI 20E4	75 mm	216 mm	3000 mm	4,50 mm	113 cm ²	0,17 kN/m	5,67 kg
GI 30E4	75 mm	316 mm	3000 mm	4,50 mm	165 cm ²	0,25 kN/m	7,01 kg

H: height
B: width
L: length
t: material thickness
A: cross section area
 Q_{SK} : distributed load control cable
G: weight

DETAILS / APPLICATIONS





OPTIONAL ACCESSORIES

GV 30, GVD 30, GV-L 30, GVU, GVK, GTR 60, MP-G, KLU



Do not walk upon!

