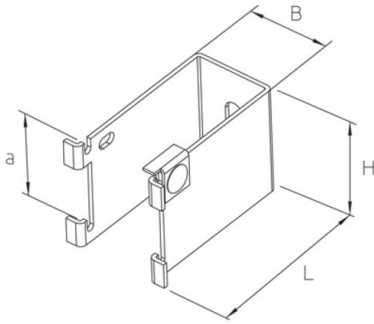


GBH 50

spacer bar for mesh cable tray detent dimension 50



Spacer bar for horizontal-vertical wall fastening of mesh cable trays. Suitable for mounting on the longitudinal wires in the bottom of the mesh cable trays G 50 and G 100 from a width of 316 mm. Two spacer bars are necessary for mounting.

The support distance is to be chosen according to the local conditions, maximum 1 m.

Continuously hot galvanized (Sendzimir process) (DIN EN 10346)

| Product | H | B | L | a | G |
|--------------|---|-------|--------|-------|---------|
| GBH 50S | 65 mm | 50 mm | 100 mm | 50 mm | 0,37 kg |
| incl.: | | | | | |
| 1x GBH-SL S | spacer bar safety lug | | | | |
| 1x FRSV 6X12 | round-head screw with short square, DIN 603 | | | | |
| 1x SEMS 6 | hexagon-nut with flange, DIN EN 1661 | | | | |

Hot-dip galvanized, according to BS 729 (DIN EN ISO 1461)

| Product | H | B | L | a | G |
|---------------|---|-------|--------|-------|---------|
| GBH 50F | 65 mm | 50 mm | 100 mm | 50 mm | 0,34 kg |
| incl.: | | | | | |
| 1x GBH-SL F | spacer bar safety lug | | | | |
| 1x FRSV 6X12E | round-head screw with short square, DIN 603 | | | | |
| 1x SEMS 6E | hexagon-nut with flange, DIN EN 1661 | | | | |

Stainless steel, according to ASTM 304 / BS 304 S 3

| Product | H | B | L | a | G |
|---------|-------|-------|--------|-------|---------|
| GBH 50E | 65 mm | 50 mm | 100 mm | 50 mm | 0,37 kg |



Product

H

B

L

a

G

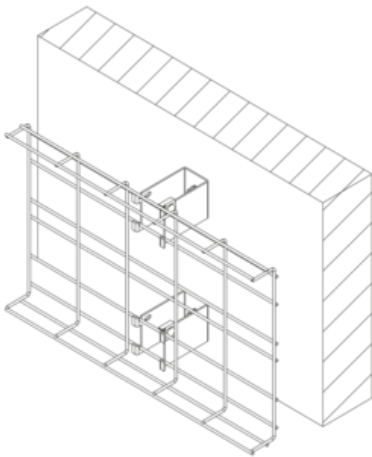
incl.:

1x GBH-SL E
1x FRSV 6X12E
1x SEMS 6E

spacer bar safety lug
round-head screw with short square, DIN 603
hexagon-nut with flange, DIN EN 1661

H: height
B: width
L: length
a: wire distance
G: weight

DETAILS / APPLICATIONS



OPTIONAL ACCESSORIES

GBH SL

