

GBAR

centre suspension, external

External centre suspension with threaded rod for cable trays. For tray widths of up to 300 mm. A threaded rod (L = 1000 mm) is included in the set.

F_D/P : coefficient for calculation of the dowel load F_D with effective bracket load P respectively the sum of effective bracket loads.

Continuously hot galvanized (Sendzimir process) (DIN EN 10346)

Product	B	L	P_{max}	F_D/P	G
GBAR 10S	100 mm	60 mm	0,7 kN	1	0,62 kg
incl.:					
1x GB M10-10		threaded rod, DIN 976-1			
3x SEM 10		hexagon-nut, DIN 934			
1x KLR		clamp fastening set			
GBAR 20S	200 mm	160 mm	0,7 kN	1	0,75 kg
incl.:					
1x GB M10-10		threaded rod, DIN 976-1			
3x SEM 10		hexagon-nut, DIN 934			
1x KLR		clamp fastening set			
GBAR 30S	300 mm	260 mm	0,7 kN	1	0,88 kg
incl.:					
1x GB M10-10		threaded rod, DIN 976-1			
3x SEM 10		hexagon-nut, DIN 934			
1x KLR		clamp fastening set			

Stainless steel, according to ASTM 304 / BS 304 S 3

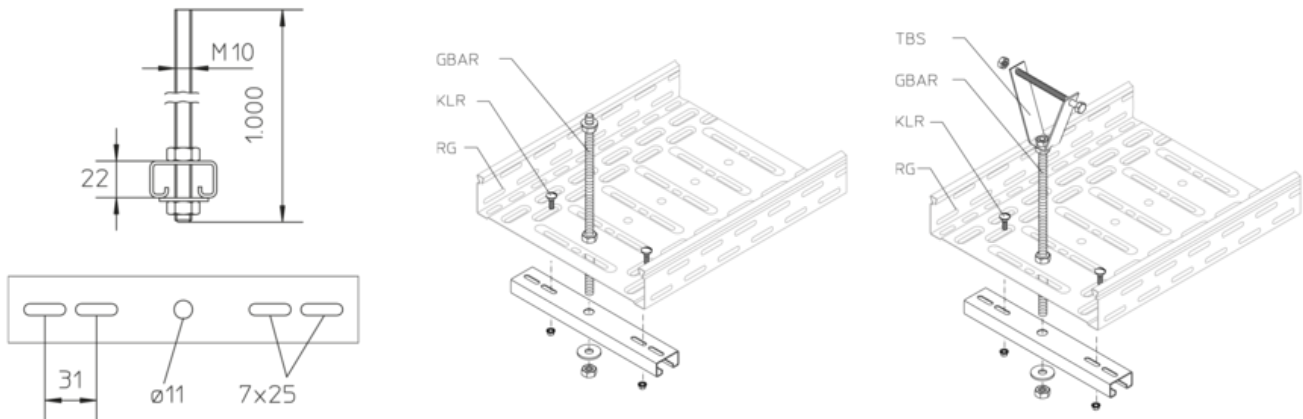
Product	B	L	P_{max}	F_D/P	G
GBAR 10E	100 mm	60 mm	0,7 kN	1	0,62 kg
incl.:					
1x GB M10-10E		threaded rod, DIN 976-1			
3x SEM 10E		hexagon-nut, DIN 934			
1x KLR E		clamp fastening set			



Product	B	L	P_{max}	F_D/P	G
GBAR 20E	200 mm	160 mm	0,7 kN	1	0,75 kg
incl.:					
1x GB M10-10E		threaded rod, DIN 976-1			
3x SEM 10E		hexagon-nut, DIN 934			
1x KLR E		clamp fastening set			
GBAR 30E	300 mm	260 mm	0,7 kN	1	0,88 kg
incl.:					
1x GB M10-10E		threaded rod, DIN 976-1			
3x SEM 10E		hexagon-nut, DIN 934			
1x KLR E		clamp fastening set			

B: width
L: length
 P_{max} : Maximum load
 F_D/P : dowel-to-anchor load
G: weight

DETAILS / APPLICATIONS



OPTIONAL ACCESSORIES

SAZ

