

GBAG 20  
GBAG 30

GBAG 10

## GBAG

centre suspension, external

External centre suspension with threaded rod for mesh cable trays. For tray widths of up to 300 mm. A threaded rod (L = 1000 mm) is included in the set.

$F_D/P$ : coefficient for calculation of the dowel load  $F_D$  with effective bracket load  $P$  respectively the sum of effective bracket loads.

### Continuously hot galvanized (Sendzimir process) (DIN EN 10346)

Product	B	L	$P_{max}$	$F_D/P$	G
GBAG 10S	100 mm	41 mm	0,5 kN	1	0,42 kg
incl.:					
1x GB M8-10		threaded rod, DIN 976-1			
2x GV-L 30F		mesh cable tray connector			
3x SEM 8		hexagon-nut, DIN 934			
GBAG 20S	200 mm	180 mm	0,5 kN	1	0,5 kg
incl.:					
1x GB M8-10		threaded rod, DIN 976-1			
1x GV-L 30F		mesh cable tray connector			
3x SEM 8		hexagon-nut, DIN 934			
GBAG 30S	300 mm	280 mm	0,5 kN	1	0,57 kg
incl.:					
1x GB M8-10		threaded rod, DIN 976-1			
1x GV-L 30F		mesh cable tray connector			
3x SEM 8		hexagon-nut, DIN 934			

### Stainless steel, according to ASTM 304 / BS 304 S 3

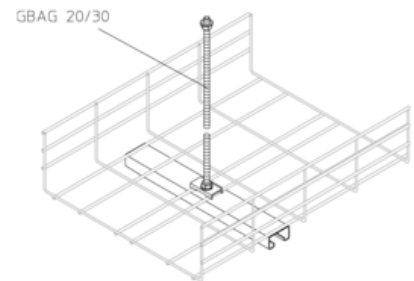
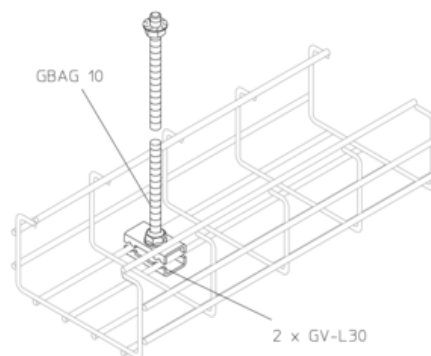
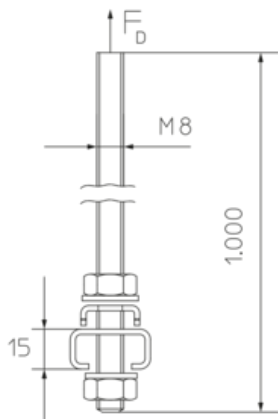
Product	B	L	$P_{max}$	$F_D/P$	G
GBAG 10E	100 mm	41 mm	0,5 kN	1	0,42 kg
incl.:					
1x GB M8-10E		threaded rod, DIN 976-1			
3x SEM 8E		hexagon-nut, DIN 934			
2x GV-L 30E		mesh cable tray connector			



Product	B	L	$P_{max}$	$F_d/P$	G
GBAG 20E	200 mm	180 mm	0,5 kN	1	0,5 kg
incl.:					
1x GB M8-10E		threaded rod, DIN 976-1			
3x SEM 8E		hexagon-nut, DIN 934			
1x GV-L 30E		mesh cable tray connector			
GBAG 30E	300 mm	280 mm	0,5 kN	1	0,57 kg
incl.:					
1x GB M8-10E		threaded rod, DIN 976-1			
3x SEM 8E		hexagon-nut, DIN 934			
1x GV-L 30E		mesh cable tray connector			

**B:** width  
**L:** length  
 **$P_{max}$ :** Maximum load  
 **$F_d/P$ :** dowel-to-anchor load  
**G:** weight

## DETAILS / APPLICATIONS



## OPTIONAL ACCESSORIES

SAZ

