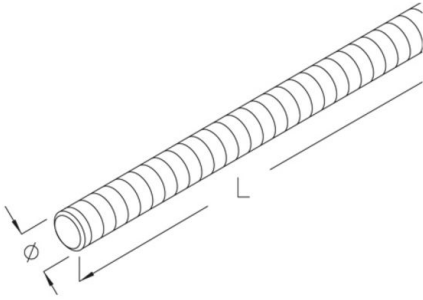


GB

threaded rod, DIN 976-1



Stress-areas according to DIN 267-4: GB M8 = 36.6 mm², GB M10 = 58.0 mm², GB M12 = 84.3 mm². The product can be used for fire protection. For technical parameters, see National Technical Test Certificates (abPs).

galvanized, according to DIN EN ISO 19598 / DIN EN ISO 2081

Product	L	Ø	G
GB M8-10	1000 mm	8 mm	30,70 kg/100
GB M10-10	1000 mm	10 mm	49,70 kg/100
GB M12-10	1000 mm	12 mm	72,50 kg/100

Hot-dip galvanized, according to BS 729 (DIN EN ISO 1461)

Product	L	Ø	G
GB M10-10F	1000 mm	10 mm	42,50 kg/100
GB M12-10F	1000 mm	12 mm	64,40 kg/100

Stainless steel, according to ASTM 304 / BS 304 S 3

Product	L	Ø	G
GB M8-10E	1000 mm	8 mm	30,90 kg/100
GB M10-10E	1000 mm	10 mm	50,01 kg/100
GB M12-10E	1000 mm	12 mm	72,96 kg/100

L: length





Ø: diameter
G: weight

