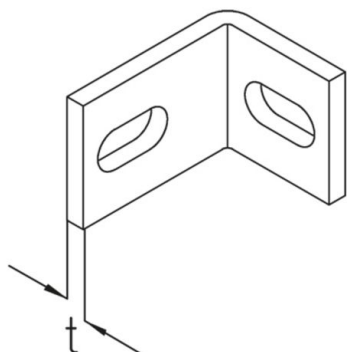


## BL 5

corner angle, KHU 40/57/60, KHA

Wall angle for fastening bracket supports KHU 40/57/60 and KHA to walls.

This article is available made in material No. 1.4571/1.4404 (V4A) stainless steel finish.



### Hot-dip galvanized, according to BS 729 (DIN EN ISO 1461)

Product	H	B	L	t	G
BL 5-HDG	40 mm	45 mm	60 mm	6,00 mm	0,14 kg

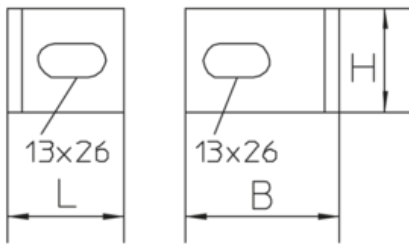
### Stainless steel, according to ASTM 31 Ti / AISI 316 L, BS 320S17 / BS 316S11

Product	H	B	L	t	G
BL 5-316	40 mm	45 mm	60 mm	6,00 mm	0,14 kg

**H:** height  
**B:** width  
**L:** length  
**t:** material thickness  
**G:** weight

## DETAILS / APPLICATIONS





## OPTIONAL ACCESSORIES

SD, AM22, AMF22, HS18, AMF18, AM18

