

## BGUQ-BS 60

head/base plate, LGG 60 Maintenance of function - Standard support structures

Head and base plate for mounting a LGG 60 as a hanging vertical ladder.

The product can be used for fire protection. For technical parameters, see National Technical Test Certificates (abPs).

**Hot-dip galvanized, according to BS 729 (DIN EN ISO 1461)**

Product	H	B	L	G
BGUQ-BS 60F	106 mm	80 mm	150 mm	0,88 kg
incl.:				
1x FRSV 8X16E	round-head screw with short square, DIN 603			
1x SEMS 8E	hexagon-nut with flange, DIN EN 1661			

**Stainless steel, according to ASTM 304 / BS 304 S 3**

Product	H	B	L	G
BGUQ-BS 60E	106 mm	80 mm	150 mm	0,84 kg
incl.:				
1x FRSV 8X16E	round-head screw with short square, DIN 603			
1x SEMS 8E	hexagon-nut with flange, DIN EN 1661			

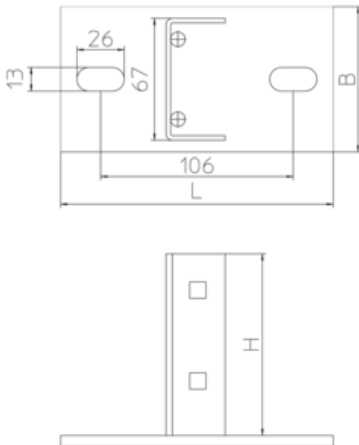
**Stainless steel, according to ASTM 31 Ti / AISI 316 L, BS 320S17 / BS 316S11**

Product	H	B	L	G
BGUQ-BS 60E4	106 mm	80 mm	150 mm	0,84 kg
incl.:				
1x FKS 8X16E4	slotted cylinder head screw, DIN EN ISO 1580			
1x SEM 8E4	hexagon-nut, DIN 934			



**H:** height  
**B:** width  
**L:** length  
**G:** weight

## DETAILS / APPLICATIONS



## OPTIONAL ACCESSORIES

SD

