

**BGF 41**  
base fitting

Hot-dip galvanized, according to BS 729 (DIN EN ISO 1461)

Product	H	B	L	G
BGF 41-HDG	225 mm	49 mm	305 mm	2,21 kg

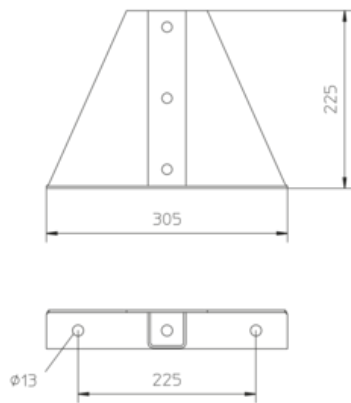
Stainless steel, according to ASTM 31 Ti / AISI 316 L, BS 320S17 / BS 316S11

Product	H	B	L	G
BGF 41-316	225 mm	49 mm	305 mm	2,21 kg

**H:** height  
**B:** width  
**L:** length  
**G:** weight

DETAILS / APPLICATIONS





## OPTIONAL ACCESSORIES

KHA 41

