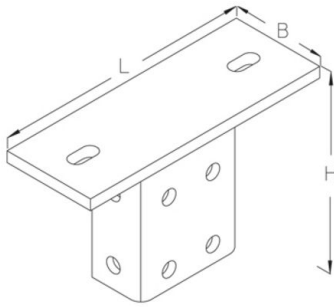


BGA 41/2

screwed head plate, KHA 41/82

head plate for mounting of two bracket supports profile KHA 41 to ceiling

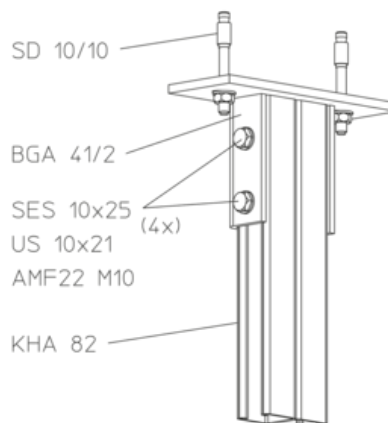
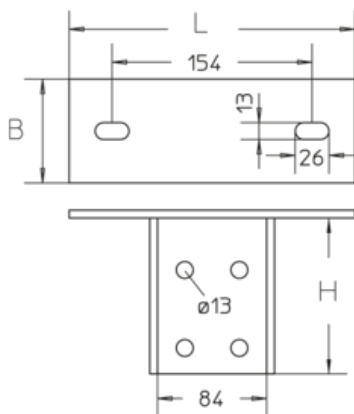


galvanized, according to DIN EN ISO 19598 / DIN EN ISO 2081

Product	H	B	L	G
BGA 41/2GV	120 mm	80 mm	220 mm	1,99 kg

H: height
B: width
L: length
G: weight

DETAILS / APPLICATIONS





OPTIONAL ACCESSORIES

SD, SKLC M, SKL M, AMF22, AM22, KHA 41, KHA 82

