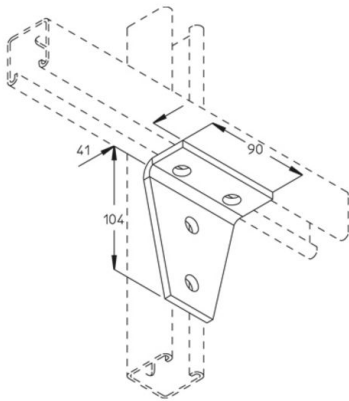


AVLWB1-2

angle bracket 90° 4 holes



Hot-dip galvanized, according to BS 729 (DIN EN ISO 1461)

Product	H	B	L	G
AVLWB1-2-HDG	104 mm	41 mm	90 mm	0,45 kg

Stainless steel, according to ASTM 31 Ti / AISI 316 L, BS 320S17 / BS 316S11

Product	H	B	L	G
AVLWB1-2-316	104 mm	41 mm	90 mm	0,45 kg

H: height
B: width
L: length
G: weight

DETAILS / APPLICATIONS



