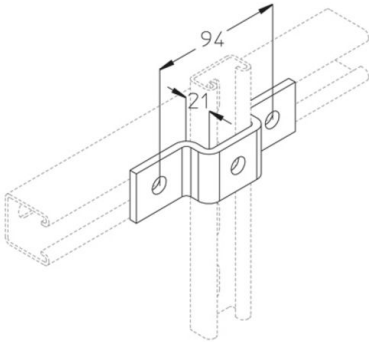


AVB 21

connector, profile 21



Hot-dip galvanized, according to BS 729 (DIN EN ISO 1461)

Product	H	B	L	t	G
AVB 21-HDG	28 mm	134 mm	40 mm	6,00 mm	0,29 kg

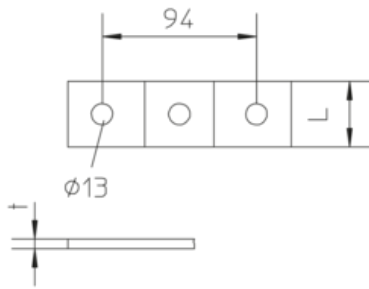
Stainless steel, according to ASTM 31 Ti / AISI 316 L, BS 320S17 / BS 316S11

Product	H	B	L	t	G
AVB 21-316	28 mm	134 mm	40 mm	6,00 mm	0,29 kg

H: height
B: width
L: length
t: material thickness
G: weight

DETAILS / APPLICATIONS





OPTIONAL ACCESSORIES

KHA 21

