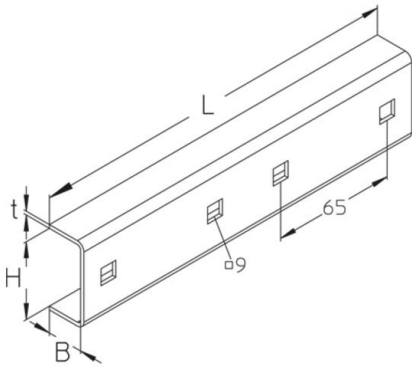


## ASK 8

connector, A/KHA 7/8/9



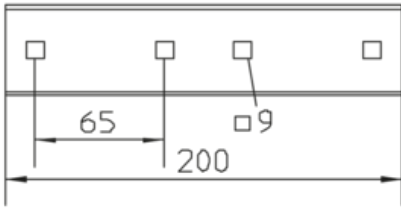
Hot-dip galvanized, according to BS 729 (DIN EN ISO 1461)

Product	H	B	L	t	G
ASK 8	41 mm	19 mm	200 mm	2,00 mm	0,25 kg
incl.:					
4x FRS 8X20E	round-head screw with square, DIN 603				
4x SEMS 8E	hexagon-nut with flange, DIN EN 1661				

**H:** height  
**B:** width  
**L:** length  
**t:** material thickness  
**G:** weight

## DETAILS / APPLICATIONS





## OPTIONAL ACCESSORIES

A 7, KHA 7, A 8, KHA 8, A 9, KHA 9

