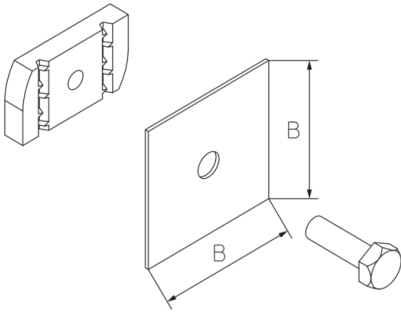


ARS 18-KHA

Anti-slip device for perforated profile rail KHA 8, 7

For fuse protection of the cable clamp type AC in functional integrity



Continuously hot galvanized (Sendzimir process) (DIN EN 10346)

Product	B	G
ARS 18-KHA F	40 mm	0,04 kg
incl.:		
1x AM18 M6F	channel nut, A7/A8	
1x SES 6X20E	hexagon head bolt, DIN 933	
1x RUS 40-L7F	mounting plate, KHA profiles	

B: width
G: weight

DETAILS / APPLICATIONS

