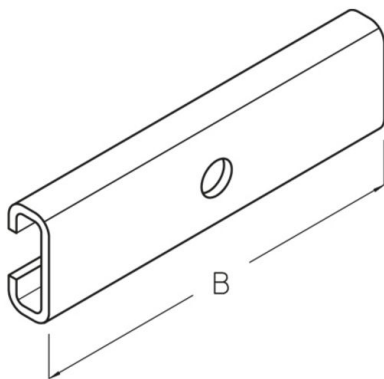


## AN support

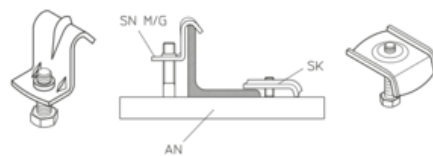
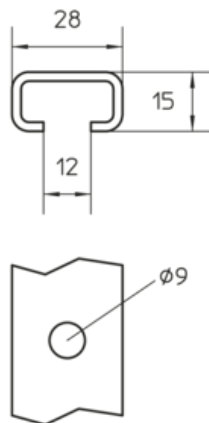


Hot-dip galvanized, according to BS 729 (DIN EN ISO 1461)

Product	B	G
AN 100F	100 mm	10 kg/100

**B:** width  
**G:** weight

## DETAILS / APPLICATIONS





## OPTIONAL ACCESSORIES

B, HB, ACF-E

